



CDB650-204

CDB

4DPROCONNECTIVITY

SICK
Sensor Intelligence.



Ordering information

Type	Part no.
CDB650-204	1064114

Other models and accessories → www.sick.com/CDB



Detailed technical data

Features

Brief description	Connection device basic for connecting one sensor with 2 A fuse, 5 cable glands and RS-232 interface to sensor via M12, 17-pin female connector, all outputs available on screw/spring-loaded terminals.
Supported products	Lector® series, CLV62x - CLV64x (depending on type), CLV69x, RFID read/write device
Cloning module support (CMC)	Yes
Supports display module (CMD)	No
Supports power supply module (CMP)	No
Supports fieldbus gateway (CMF)	No

Interfaces

Serial	✓, RS-232, RS-422, RS-485
Remark	Depending on sensor connected
CAN	
Remark	Depending on sensor connected
Switching inputs	Depending on sensor connected
Switching outputs	Depending on sensor connected
Optical indicators	11 LEDs
Configuration software	SOPAS ET

Mechanics/electronics

Operating voltage	10 V DC ... 30 V DC
Power consumption	1 W
Housing	Polycarbonate
Housing color	Blue (RAL 5012)
Enclosure rating	IP65
Protection class	III
Weight	+ 265 g
Dimensions (L x W x H)	124.2 mm x 113.1 mm x 53.9 mm

Scanner connection	17-pin M12 socket, A-coded
Service plug	9-pin D-Sub plug (internal)

Ambient data

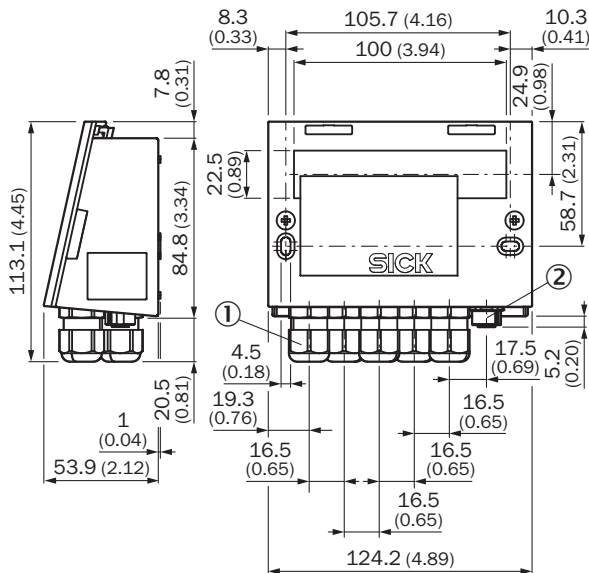
Ambient operating temperature	-40 °C ... +50 °C
Storage temperature	-30 °C ... +75 °C
Permissible relative humidity	≤ 90 %, Non-condensing

Classifications

ECl@ss 5.0	27242208
ECl@ss 5.1.4	27242608
ECl@ss 6.0	27242608
ECl@ss 6.2	27242608
ECl@ss 7.0	27242608
ECl@ss 8.0	27242608
ECl@ss 8.1	27242608
ECl@ss 9.0	27242608
ETIM 5.0	EC001604
ETIM 6.0	EC001604
UNSPSC 16.0901	32151705

Dimensional drawing (Dimensions in mm (inch))




CDB650



- ① Female connector M12, 17-pin
- ② PG connector \varnothing 4.5 mm ... 10 mm (5 x)

Recommended accessories

Other models and accessories → www.sick.com/CDB

	Brief description	Type	Part no.
Modules and gateways			
	External parameter memory for integration in CDB620/CDB650/CDM42x	CMC600-101	1042259
Plug connectors and cables			
	Head A: female connector, M12, 17-pin, straight, A-coded Head B: male connector, M12, 17-pin, straight, A-coded Cable: Power, serial, CAN, digital I/Os, suitable for 2 A, shielded, 3 m	Connection cable (male connector - female connector)	6051194
	Head A: female connector, D-Sub, 9-pin, straight Head B: female connector, D-Sub, 9-pin, straight Cable: serial, unshielded, 3 m For PC connection	Data connection cable (RS-232) to PC	2014054

SICK AT A GLANCE

SICK is one of the leading manufacturers of intelligent sensors and sensor solutions for industrial applications. A unique range of products and services creates the perfect basis for controlling processes securely and efficiently, protecting individuals from accidents and preventing damage to the environment.

We have extensive experience in a wide range of industries and understand their processes and requirements. With intelligent sensors, we can deliver exactly what our customers need. In application centers in Europe, Asia and North America, system solutions are tested and optimized in accordance with customer specifications. All this makes us a reliable supplier and development partner.

Comprehensive services complete our offering: SICK LifeTime Services provide support throughout the machine life cycle and ensure safety and productivity.

For us, that is “Sensor Intelligence.”

WORLDWIDE PRESENCE:

Contacts and other locations –www.sick.com